

# National Waste Management

POLICY PAPER



Saafu  
Kaa'ijje

The "CLEAN MALDIVES" Initiative

## Sixth Regional 3R Forum in Asia and the Pacific

### Organizers



Ministry of the Environment  
Japan

Ministry of  
Environment  
Government of Japan



Ministry of Tourism  
Government of  
Maldives



Ministry of Environment and  
Energy  
Government of Maldives



UNCRD

United Nations Centre for  
Regional Development

# GUIDING PRINCIPLES



Polluter Pay Principle. Each individual living in the Maldives should be responsible for the waste they produce



Each household should manage their waste according to the plans and guideline of the council in which the household is located



Introduction of Extended Producer Responsibility (EPR).

# ROLES AND RESPONSIBILITIES

INDIVIDUAL

HOUSEHOLD

BUSINESSES  
AND  
INDUSTRIES

CLINICS AND  
HOSPITALS

ISLAND

ATOLL

NATIONAL



# INDIVIDUAL & HOUSEHOLD RESPONSIBILITY



- ▶ Every individual should be responsible for the waste produced due to their actions
- ▶ Every household should follow the regulations and guidelines set by the council in reducing and management of waste produced



## RESPONSIBILITY OF CLINICS AND HOSPITALS

- ▶ Manage medical waste that can be hazardous and infectious
- ▶ Hospitals and Clinics should manage waste produced by giving necessary support and cooperation to the municipal council it is a part of as well as other institutional regulations



# ISLAND LEVEL RESPONSIBILITY

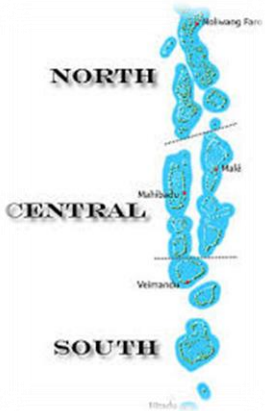
- ▶ Prepare and implement an island waste management plan
- ▶ Island level waste management plan
- ▶ Conduct public education sessions.



# ISLAND LEVEL RESPONSIBILITY

- ▶ Establishment of **user pay system**
- ▶ Regulating and monitoring of waste management under PPP
- ▶ Provide waste **management statistical data** and **reports** to relevant authorities





# ATOLL LEVEL RESPONSIBILITIES

- ▶ Ensure proper **waste management in all islands**
- ▶ **Identify issues** within islands: Resolve with assistance from the island councils



# NATIONAL RESPONSIBILITIES

- ▶ Establish and implement the Waste Management Legal framework
- ▶ Establish user pay framework including individuals, households, businesses and government institutes under the Solid Waste Management Regulation.
- ▶ Establish guideline and assist in preparation of Island and Atoll level waste management plan



# NATIONAL RESPONSIBILITIES

- ▶ Provide necessary waste management infrastructure and equipment for all inhabited islands
- ▶ Collections and publication of waste statistics and waste facility inventory
- ▶ Conduct regular waste management public education programs and awareness campaigns
- ▶ Provide financial and technical assistance for waste management at island level



# NATIONAL RESPONSIBILITIES

- ▶ Allocate regions for waste management and establish RSWMF
- ▶ R&D
- ▶ Encourage and promote collaboration between government utility companies and the island councils
- ▶ Take necessary steps to ensure proper waste management in industrial facilities
- ▶ Capacity building in the field of waste management and pollution control

# Methodology

# Segregation of waste at households



# Collection



# Composting at IWMCs

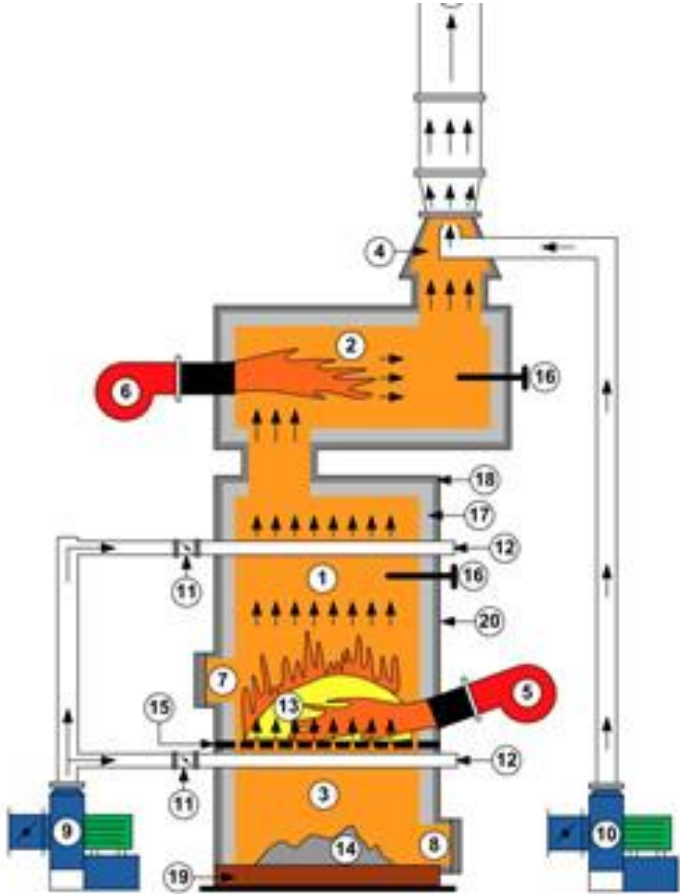




Transfer the remaining waste to RWMS



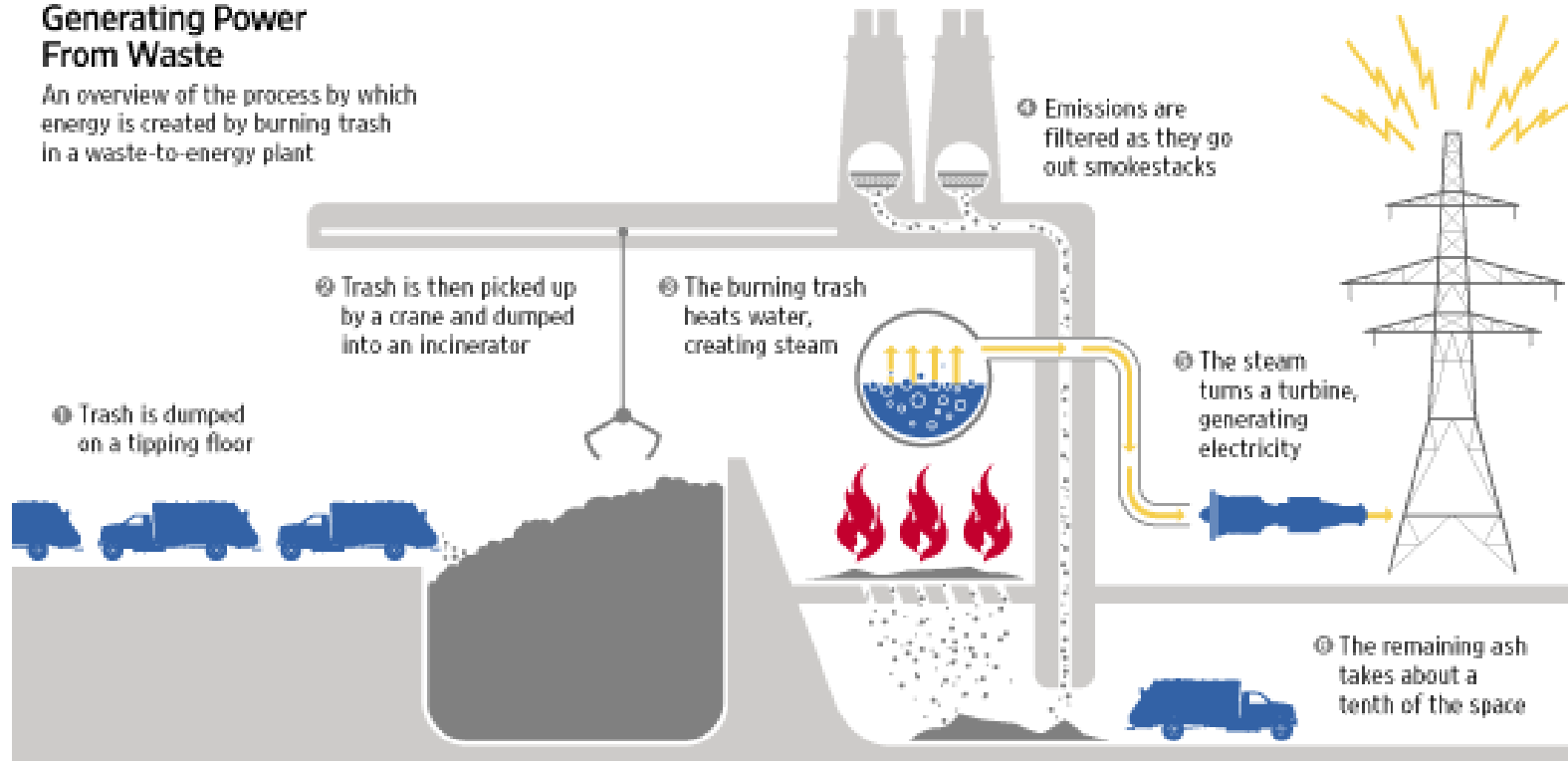
# Incineration at RWMC



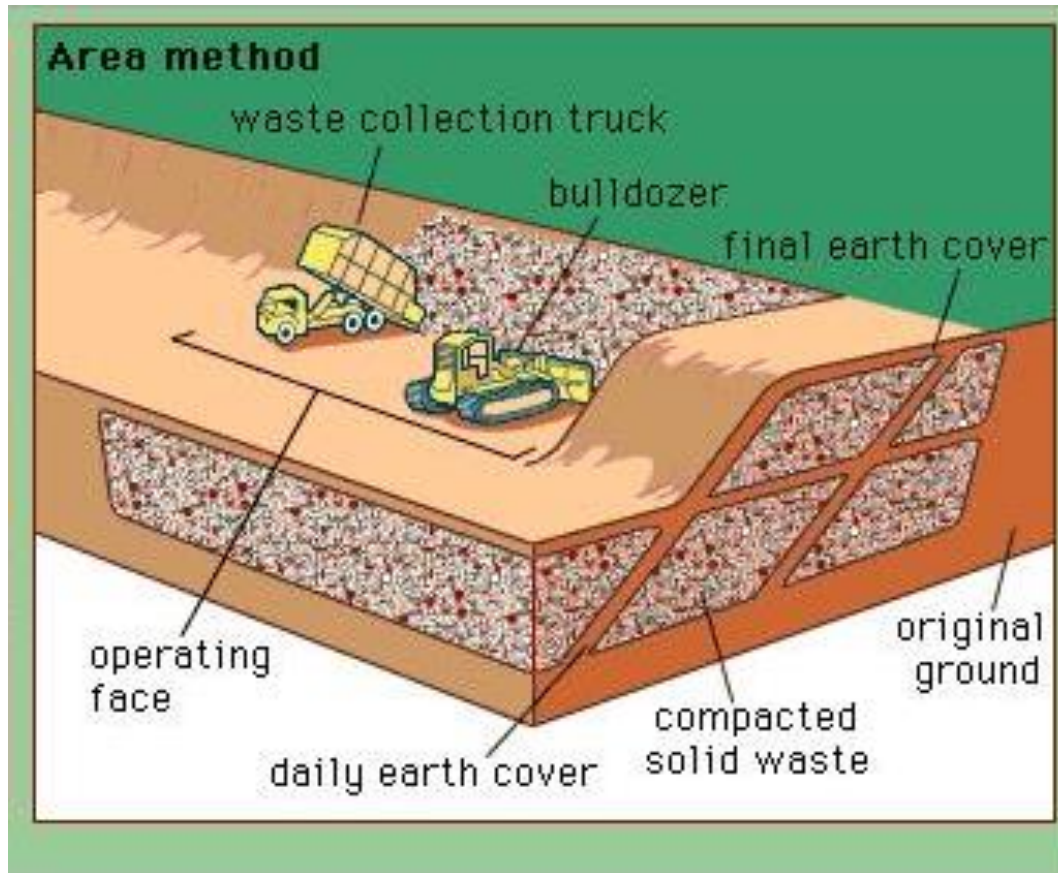
# Waste to Energy

## Generating Power From Waste

An overview of the process by which energy is created by burning trash in a waste-to-energy plant



# Land Fill at RWMC



Methodology at Greater Male'

# Collection



# Transfer station compaction and packing



# Male' Recycling Plant





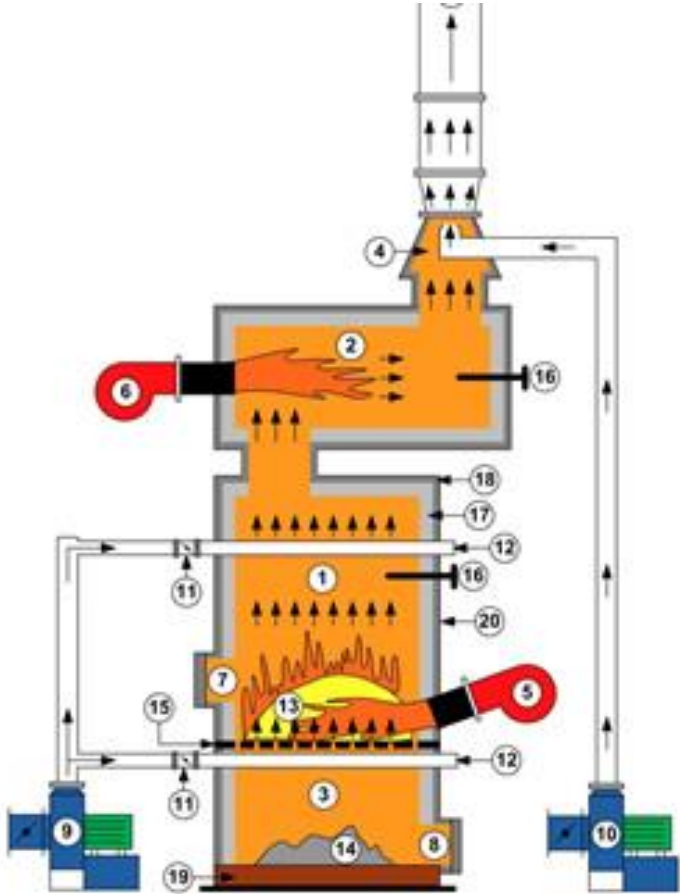
# Waste Transfer to Thilafushi



# Thilafushi Recycling Plant



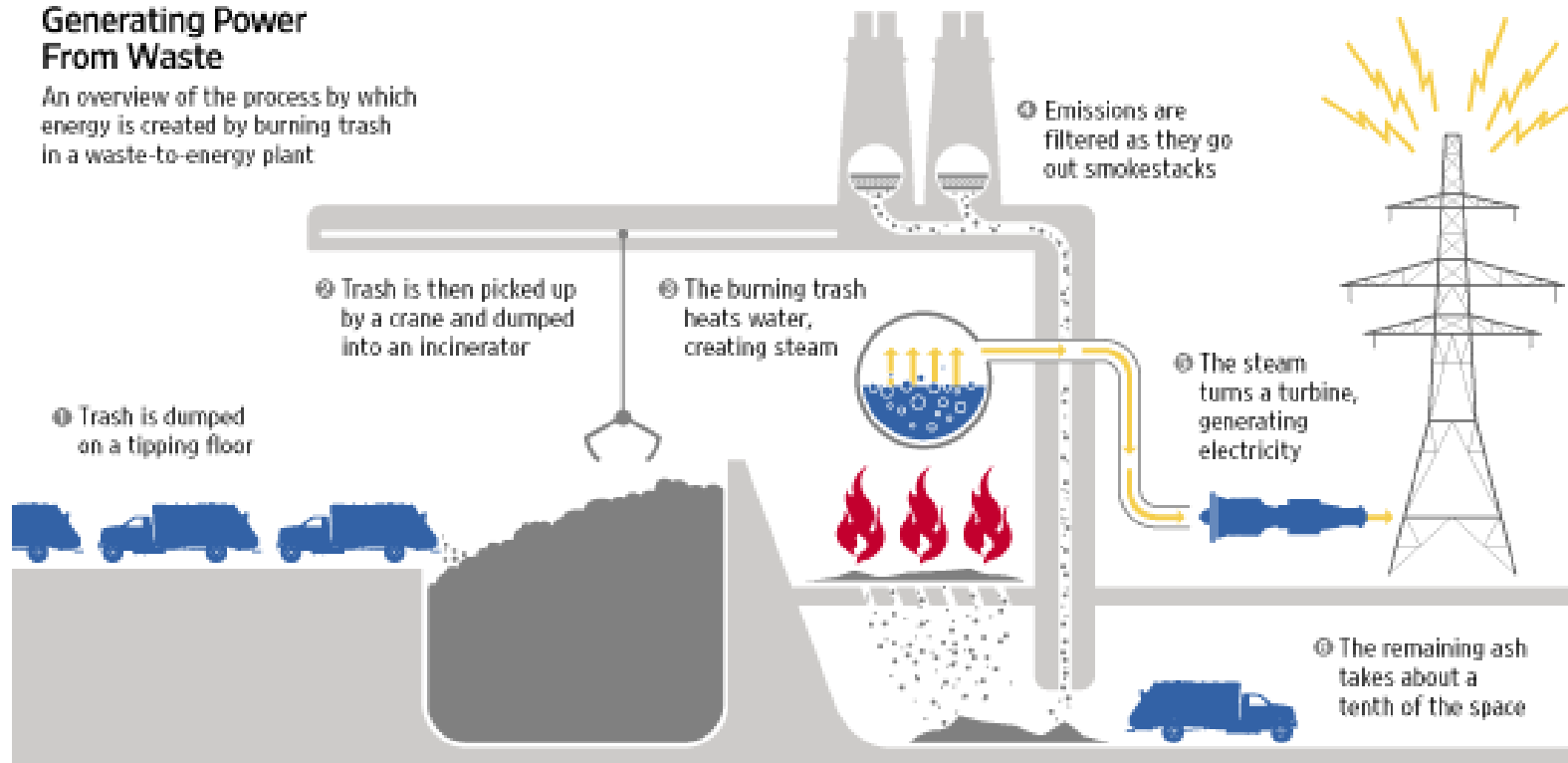
# Incineration



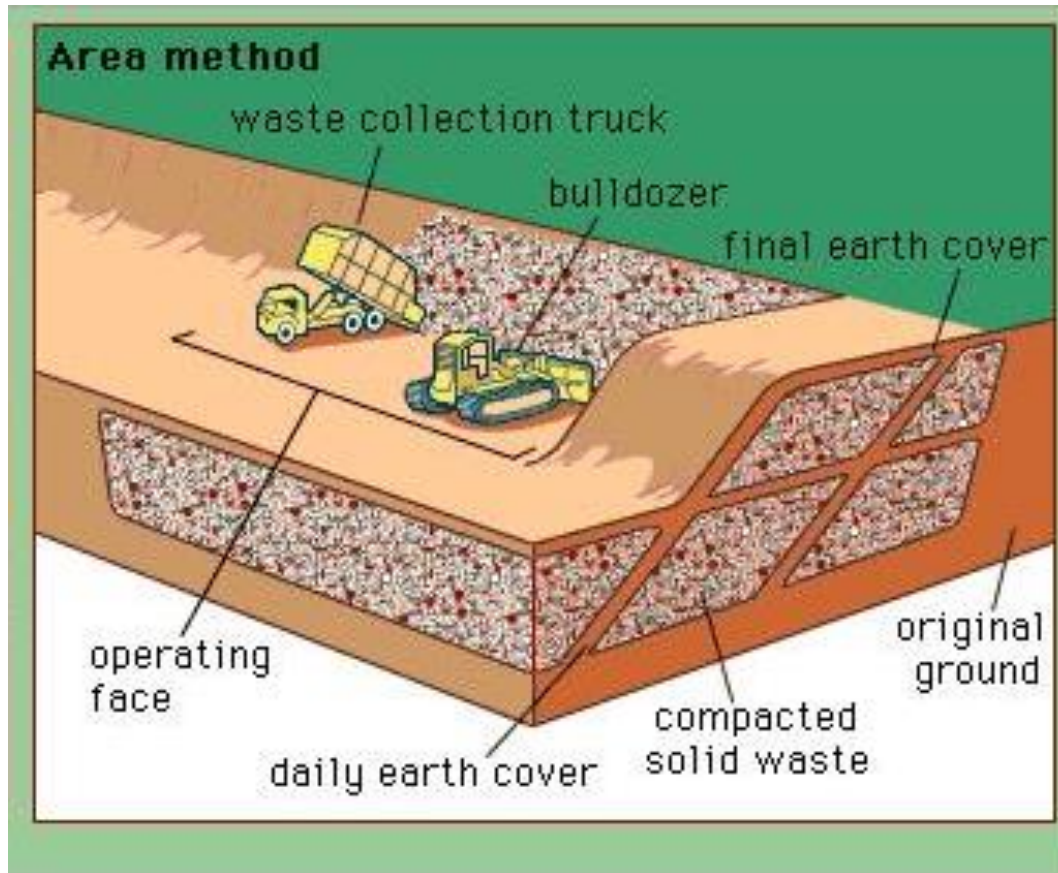
# Waste to Energy

## Generating Power From Waste

An overview of the process by which energy is created by burning trash in a waste-to-energy plant



# Land Fill



THANK YOU

The background features abstract, overlapping geometric shapes in various shades of green, ranging from light lime to dark forest green. These shapes are primarily located on the right side of the frame, creating a dynamic, layered effect against the white background.